

TSO OPENERS



ITR is specialized in the development and manufacturing of **complete recycling lines and plants for the treatment of ferrous and non-ferrous metal waste.**

TSO openers were designed for achieving the **maximum yield from the different types of material in the treatment of ferrous and non-ferrous metal scraps**, with dedicated models for some particular waste:

- WEEE, packaged waste and plastics
- Municipal solid waste, waste from un-differentiated collection, bulky waste, industrial waste, end-of-life tires and wood.

They allow a **precise volumetric reduction and opening of the material**, preparing it for the subsequent processes of enhancement and separation.

They are structurally strong and resistant machines, made of **superior quality steels** and characterized by an **extreme versatility**, thanks to the possibility to configure the blades for many types of material and according to the different production needs.

The structure of the cutting chamber allows **quick maintenance** and replacement components subject to wear (blades, spacers and counter blades), **reducing operating costs** and timing of machine downtime. The machines are equipped with a two slow speed shafts system and reverse of automatic gear to ensure the



best shredding and energy efficiency.

Thanks to the studies and tests carried out, ITR has developed processing systems of the dedicated material, electrically or hydraulically operated for heavy applications. The control panel is **easy and intuitive** to manage, it contains all the control devices, control power, drive, circuits safety. The control panel is complete with touch screen for displaying commands and for setting up of dedicated operation, for each type of material. The TSO series openers can be perfectly **integrated in the smart factory systems 4.0.**

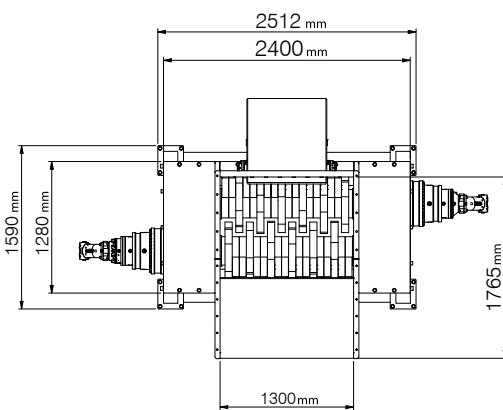
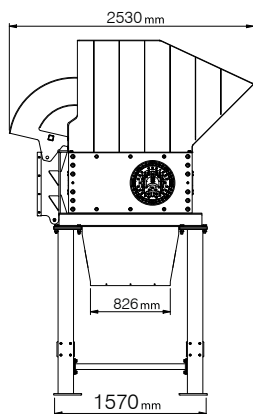
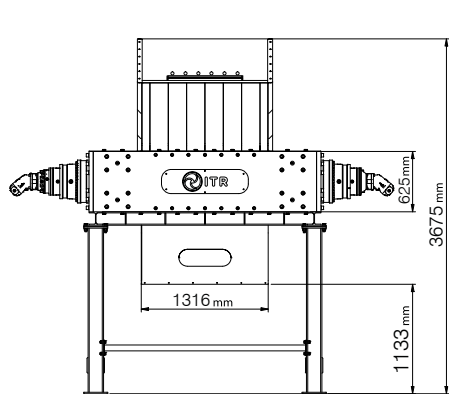


PROCESSED MATERIAL

Opener for WEEE



TECHNICAL DETAILS



Model: TSO100

Model	Cutting chamber mm	Blades	Power KW	Version
ITR TSO 100	1.100x900	Fixed	1x 37 + 1x 7,5	Electric / Hydraulic
			2x 37	
ITR TSO 130	1.300x1.100	Fixed	1x 37 kW + 1x 55 kW	Electric / Hydraulic
ITR TSO 150	1.500x1.100	Fixed	2x 75	Electric / Hydraulic



ITR Recycling Technologies is a brand of **O.M.A.R. Srl**
 Tel. +39 - 0422 521028
 info@itrimpanti.com
 www.itrimpanti.com

O.M.A.R. Srl
 Via Marmolada, 2 Z.I. Nord
 31027 Spresiano - TV - Italy
 Tel. +39 - 0422 725890
 Fax. +39 - 0422 725959
 info@omar.it
 www.omar.it